

RevoTrans® YFM Super Safe Permanent Magnet Synchronous Motor

I. Product Introduction

RevoTrans® YFM80-4 super safe permanent magnet synchronous motor was developed and manufactured by Langham Automatic Co., Ltd. with international IP protections under the brand name of RevoTrans®. **The YFM motors are designed for general industrial purpose and featured with flexible mechanical power transmission, reliable starting and overload protection, automatic current limiting control and stalling protection.** YFM motor series will not burn out even under extreme situations such as stalling and starting with heavy loads hence significant cost savings on protection devices and circuits and providing extra level of safety.

II. Operating Environments

1. The elevation above sea level < 2000m
2. The ambient temperature > -15°C & < +40°C
3. No risk of dust explosion
4. No vibration or turbulence
5. No corrosive or conductive gas
6. No rain or saturated steam

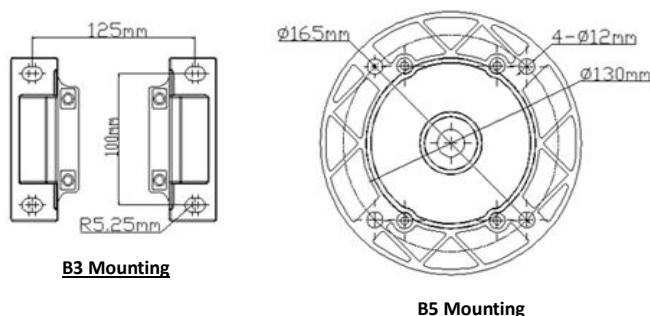
III. Main Technical Parameters

Full-load Power	Rated Voltage	Rated Current	Rated Torque	Rated Frequency	Rated Rotation Speed
750W	AC 380V	2.0A	3.0N/m	50Hz	1500r/min
750W	AC 460V	2.2A	4.0N/m	60HZ	1800r/min

Full-load Power	Rated Voltage	Rated Current	Rated Torque	Rated Frequency	Rated Rotation Speed
550W	AC 380V	1.4A	2.2N/m	50Hz	1500r/min
550W	AC 460V	1.6A	2.8N/m	60HZ	1800r/min

Insulation class	Protection class	Stalling Current Cap	Continuous Work Mode
F	IP55	3.0 Times	Within Rated Parameters

IV. Mounting Size



V. Safety Information

1. Do not touch the motor shell during motor operation, high temperature may cause serious injuries
2. Do not open the cable connection box to avoid safety accidents during motor operation
3. Physical contact with the motor shaft is prohibited during operation, rotating shaft may cause serious injuries